

# Glydea™ Range

E X P A N D I N G H O R I Z O N S



Motorization for draperies

## **GLYDEA™ BROADENS YOUR HORIZONS**

Today, drapery motorization is becoming the standard for hotel rooms, meeting venues, conference centers and luxury homes. With Glydea™, Somfy offers a discreet, flexible and robust solution to serve your imagination and broaden your horizons.



**MAKE ANY SPACE STAND OUT IN TERMS OF IMAGE, USAGE  
AND FUNCTIONALITY WITH GLYDEA™ MOTORIZED DRAPERIES**



- Glydea™ provides a convenient solution for glare reduction and privacy while also reducing energy costs and protecting furnishings from damaging UV rays.
- Glydea™ creates a positive user experience with superior performance, reliability and ease of operation.
- Glydea™ extends the lifespan of draperies by eliminating the damage associated with manual operation.
- Glydea™ is available for all types of draperies such as Pinch Pleat, RippleFold® and Accordia® so regardless of your preference, you can bring your vision to life!
- Glydea™ is compatible with various types of controls from hand-held remotes, wireless wall switches, table top controls, timers and third-party automation systems.

RippleFold® and Accordia® are registered trademarks of Kirsch.



Easy installation and inverse mounting option

Manual override

Patented cover conceals wires and connectors

Touch Motion

My Function

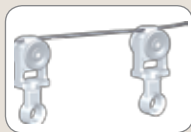
Integrated power supply

Flexible control modules

• Plug-in modules offer simple compatibility with various technologies.



Pinch Pleat Carrier



RippleFold® Carrier



Accordia® Carrier



Heavy duty master carrier

## Glydea™, the difference is in the details

The sophistication of Glydea™ is reflected in the simple form and sleek lines of the motor and the rail.

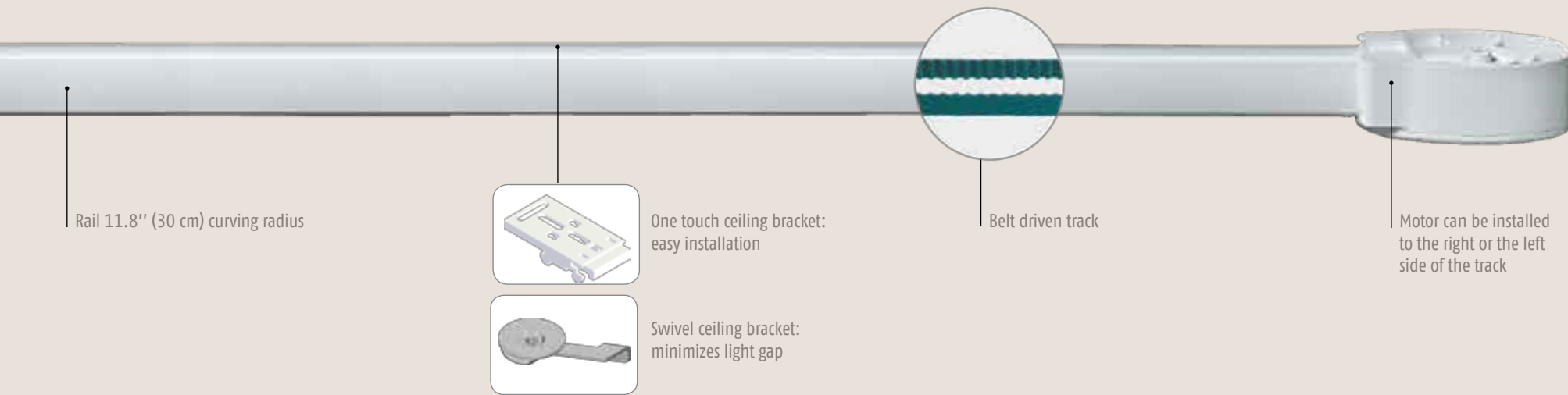
### Aesthetic

- Patented cover design conceals unsightly cables and protects the connectors and control modules inside the motor.
- Automatic or adjustable limit setting.
- Rail design and swivel ceiling bracket minimize the light gap.
- Soft start and soft stop.
- Back release function and rail design promote optimal stacking of drapery fabric (available with Glydea™ 35)

### Flexible

- Patented flexible master carrier reduces friction and is adaptable to various drapery types.

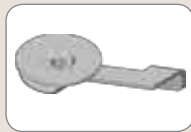




Rail 11.8" (30 cm) curving radius



One touch ceiling bracket:  
easy installation



Swivel ceiling bracket:  
minimizes light gap



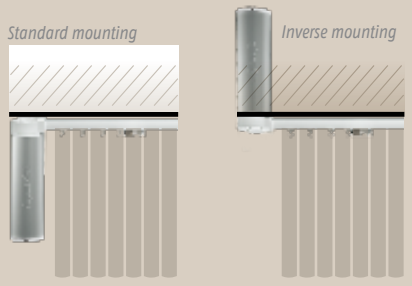
Belt driven track



Motor can be installed  
to the right or the left  
side of the track

**Easy Installation**

- Spring loaded one-touch hardware
- Motor can also be installed to the right or to the left side of the track.
- Standard or inverse motor mounting available



**Quiet**

- Motor design and the use of a timing belt provides quiet operation (<44dBA)

**Efficient**

- Touch Motion feature allows the user to activate the motorized drapery simply by pulling on the fabric (available with Glydea™ 60e)
- Manual override disengages the motor when drapery is adjusted manually. This is ideal for power outages and also protects the fabric from damage.
- My Function allows user to set a preferred drapery openness position for easy access.
- Adjustable speed: 12.5cm/s to 20cm/s

**Glydea™, Somfy quality**

5 years international warranty.  
International certifications.



# Glydea™ offers a flexible solution for every installation

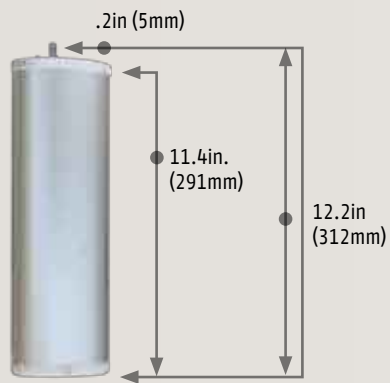
## Features overview

### Adaptable and Universal

- With one rail, two motors and various control modules, Glydea™ offers a wide range of options for any project requirement.
- Rail up to 36 ft. (10.9m) wide with Glydea™ 60e and up to 30 ft. (9m) with Glydea™ 35
- Available with custom bends and curves
- Wide variety of hardware and accessories for various drapery types including Pinch Pleat, RippleFold® and Accordia®

### Motor Dimensions

Glydea™ 35 and Glydea™ 60e

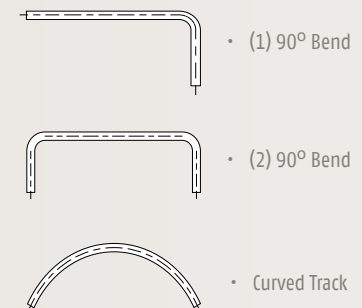


	Glydea™ 35	Glydea™ 60e
<b>Motor unit main features</b>		
Soft start	✓	✓
Manual operation	✓	✓
Automatic limits on end stop	✓	✓
Back Release	✓	
Soft stop		✓
Intermediate position		✓
Touch motion		✓
Adjustable limits		✓
Speed control & adjustment		✓
<b>Control options</b>		
3 normally open dry contacts	✓	✓
2 normally open dry contacts	✓	✓
2 normally open dry contact sequencing mode	✓	✓
Dry contact individual and group & master control	✓	✓
Tandem	✓	✓
RS485 digital technology	✓	✓
Radio Technology Somfy® RTS	✓	✓
ZigBee®	✓	✓
Z-Wave®	✓	✓
Sun control	✓	✓
Timer control	✓	✓
Infrared	✓	✓
<b>Installation and setting features</b>		
Setting with buttons on motor unit	✓	✓
Setting with external 3 normally open dry contact switch	✓	✓
LED indicators	✓	✓
Motor unit direction change	✓	✓
Factory reset	✓	✓
Inverse mounting	✓	✓
<b>Tracks / Draperies types</b>		
Side opening	✓	✓
Center opening	✓	✓
Asymmetric	✓	✓
Multiple	✓	✓
Pinch pleat	✓	✓
RippleFold® with overlap arm	✓	✓
RippleFold® with butt arm	✓	✓
Accordia®	✓	✓

## Motorized track main characteristics

	Glydea™ 35	Glydea™ 60e
Power supply	120 V	
Amperage	0.5 A	1A
Average linear speed	20 cm/s	12.5 cm/s to 20 cm/s
Power consumption	60 W	120 W
Power cable type	3-wire cable	3-wire cable
Control connector type	RJ12	RJ12
DCT control circuit voltage	3.3 VDC	3.3 VDC
Motorized track noise level	< 50 dB(A)	- <44 dB(A)*
Certifications	c TUV us, CCC, CE	
Track maximum length	30 ft (9 m)	36 ft (10.9 m)
Maximum number of junctions	2	
Minimum bending radius	11.8 in. (30 cm)	
Minimum curving radius	11.8 in. (30 cm)	
Side opening max weight	77 lbs./30 ft 35 kg./9 m	132 lbs./36 ft 58 kg./10.9 m
Center opening max weight	77 lbs./30 ft 35 kg./9 m	132 lbs./36 ft 58 kg./10.9 m
Tandem max weight	Contact Somfy	

## Other available rail shapes





Plug-in module

Glydea™ offers standard control of dry contact and Infrared and is also compatible with various control technologies using plug-in modules including:

- Radio Technology Somfy® (RTS)
- RS485
- Z-Wave®
- ZigBee®



**Radio Technology Somfy® (RTS)**

With over 10 million installations worldwide, RTS has become the standard for secure radio technology in the industry.

Easily adapt to RTS technology with the RTS plug-in module.

**Telis RTS Hand-held Remotes**

Single Channel and Five Channel Hand-held Transmitters



Pure Finish 1810632 1810633  
Silver Finish 1810639 1810641  
Lounge Finish 1810650 1810652

**Telis 16 RTS Transmitter**

16 Channel Hand-held with On-screen Display



Pure 1811081  
Silver 1811082

**DecoFlex WireFree™ RTS**

Single to Five Channel Wireless Wall Switches



Pure 1810897  
Ivory 1811072  
Black 1810830

**DecoFlex WireFree™ RTS Table Top**

Single to Five Channel Table Top Accessory. Switch sold separately



Silver 1810972  
Black 1811051

**Telis 6 Chronis RTS**

6 Channel Programmable Timer with On-Screen display



Pure 1805217  
Silver 1805218



**Infrared:**  
Compatible with all Somfy and universal infrared remote controls

Simply use the IR sensor for IR control.

**IR Remotes**

Single Channel and 8 channel Hand-held Infrared Transmitters



Single Channel 1870133  
Eight Channel 1870132

**IR Sensor**



9154205



Easily adapt to ZigBee® using the ZigBee® plug-in module.

Please contact Somfy for more information regarding ZigBee® control solutions.



Easily adapt to Z-Wave® using the Z-Wave® plug-in module.

Please contact Somfy for more information regarding Z-Wave® control solutions.



**Dry Contact Switch**  
Single Channel Switch



1800219



**RS485 Technology:** Intelligent 2 way communicating motors for easy integration with third party systems.

Easily adapt to digital RS485 technology using the RS485 plug-in module.

**IP Interface**  
Provides control via the internet



1810870

For additional information about the Glydea™ motor range please call Somfy at 1-877-43SOMFY or visit us at [www.somfysystems.com/glydea](http://www.somfysystems.com/glydea).

[www.somfysystems.com](http://www.somfysystems.com)

Somfy Systems, Inc.  
North America Headquarters  
121 Herrod Blvd  
Dayton, NJ 08810  
(P) 800 22 SOMFY  
(P) 609 395 1300  
(F) 609 395 1776

Florida  
6100 Broken Sound Pkwy  
Northwest Suite 14  
Boca Raton, FL 33487  
(P) 877 227 6639  
(P) 561 995 8376  
(F) 561 995 7502

California  
15291 Barranca Pkwy  
Irvine, CA 92618  
(P) 877 727 6639  
(F) 949 727 3775

Somfy ULC  
Somfy Canada  
6315 Shawson Drive Unit 1  
Mississauga, Ontario L5T1J2  
(P) 800 667 6639  
(P) 905 564 6446  
(F) 905 564 2679

